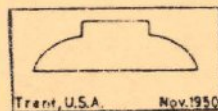
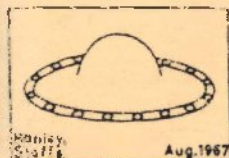


AWARENESS

JOURNAL OF CONTACT INTERNATIONAL

ISSUE 1 1987-8



AWARENESS

(A Contact (UK) Publication.)

Editorial Address &
All Correspondence to:-48 Crown Road,
Wheatley,
Oxford. OX9 1UL
England.Contents

	<u>Page No.</u>
Editorial	1
A Major UFO Wave for late 1987 - J.B Delair	2-4
UFOs and Science - M. Soper	4-10
Recent UFO Reports - Data Research	10-11
Your Screams ---- You Never Hear - T. Johnson	11-17
Again on the Inertial Paradox - K. Terziew.	17-27
Letters to the Editor	28
Advertisements	29

CONTACT INTERNATIONAL COUNCIL

Founder President: Lord Clancarty President: Ruth Rees
Vice President: Geoffrey Ambler
National Chairman (UK) : Michael Soper
Hon Treasurer: Derek Mansell. 48 Crown Rd, Wheatley, Oxford.
Membership Secretary: Louise Copeland
Senior Research Officer: Derek Mansell
Investigations co-ordinator: David Ridge. C/O 48 Crown Rd, Wheatley, Oxford.
Research Enq. & Editor: Geoffrey E. Ambler C/O 48 Crown Road, Wheatley, Oxon
Cataloguing and Typist: Mrs. Frances Copeland
Librarian: Bernard Delair

Opinions expressed in this Journal are not necessarily those of the Editor or of the Staff of Contact (UK). All contributors are solely responsible for the factual accuracy of their texts.

Unless otherwise stated, all material printed herein is copyright of CONTACT (UK) 1987. No part or parts of any published article may be reproduced whatever the method, without prior permission of the Editor of CONTACT (UK) except for purposes of review.

ADVERTISING RATES

£15. 00	per page	(4 issues)
10. 00	" 1/2 "	(4 issues)
7. 50	" " "	(2 issues)
5. 00	" 1/4 "	(4 issues)

lineage 50p (a line of 12 words)

EDITORIAL

This edition of Awareness shows considerable change - principally that we have reduced the copy size so that it can be fitted on half size pages thus cutting the cost of production, paper, envelopes and postage at a stroke. There is still the same amount of reading material, so provided not too many complaints are received from the readership we shall continue in this mode for the next few editions. The number of membership renewals so far received has been insufficient to alleviate the severe cash flow problem that has been commented on many times in the past 2 years. Drastic action has to be taken in the short term if we are to continue at all producing magazines. Hopefully, when we have finished paying the leasing account on our photocopier in February 1988, the situation will be somewhat easier, but in the meantime editions of Awareness can only be produced when there is cash to do so. Those members who renewed their subscription from the end of last season will receive 4 copies of Awareness before any renewal application is made. The UFO Register will be produced at an indefinite point in the future.

Our difficulties are further enhanced by the forthcoming departure to the West Country of our stalwart Head of Research Derek Mansell. Derek has had a very difficult year with redundancy and the loss of his mother in August. He now thinks with no ties in the Oxford Area he will do better to return to his roots in Cornwall. This plan is, at the time of writing, in its early stages, but when the time comes, alternative arrangements for the storage of CONTACT'S Files, magazines and archives will have to be found as most of the material has been at Crown Road, Wheatley for the last 12 years. The other active researchers in the Oxford area have only limited storage space and larger families, so no one person has been able to accept all the material. Anybody reading this who can offer assistance will be welcomed. Derek is hoping to rebuild part of his organisation on a local level once he moves to Cornwall and his new address may be known by the time of the next sending of Awareness. We are uncertain as yet whose address will be used as the official headquarters of the organisation.

The expected increase in UFO sightings in 1987-88 is described in an article by Bernard Delair on the following pages. A new maximum in sunspots activity is due about now, the previous one being in 1977 when the number of sightings increased dramatically. As far as is known at present there is no huge increase in sightings, but then, of course, reporting them has to be in fashion as well!

We are investigating the new "foil" spinning kites which are believed to be causing a number of false UFO reports in the home counties. My personal experience of these kites is that they give off some astounding effects when in full flight with sunlight playing on them. An example of the kite has been purchased for the organisation (they can be bought in Hamleys Toy Shop in London, Regent St., London). When the kite has been flown a report on the results will be produced.

All Good Wishes for Christmas and 1988 from the CONTACT Organisation.

The Editor.

by

J.B.Delair.

The UFO phenomena, so far as the known sightings have been recorded, shows that the chronological distribution of reports, when correlated, exhibits an ongoing activity curve characterised by repeating peaks and troughs. The peaks have long been recognised as representing 'waves', that term being used now quite freely in publications dealing with the UFO theme.

Several earlier workers have studied these UFO waves in considerable depth and from various different points of view. Thus some, like Blocher, Grove and Creighton, concentrated on particular waves affecting (or manifesting themselves in) specific geographical regions or given years, while others, such as Lord, Delair, and Jamaludin focused more on the repetitive nature of UFO waves over much longer periods.

In addition, Saunders has demonstrated that negatively skewed UFO waves progress longitudinally eastwards, and Dutton, speaking at the 1978 BUFORA Conference, indicated that UFO sightings tend to peak along certain great circles of the Earth. More recently, Jamaludin has investigated the apparent fact that, during the course of their activity, UFO waves 'migrate' geographically northwards in the Northern Hemisphere and southwards in the Southern Hemisphere.

But while some writers, notably Hynek, have suggested that the fairly consistent diurnal (Vallee and Poyer) and weekly (Saunders) 'bunching' of UFO sightings through the UFO record generally may signify psychological overtones, such an interpretation certainly cannot apply to the major UFO waves which 'migrate' or 'progress' in patterns which arbitrarily (from Man's vantage point that is) cross international boundaries, different cultures, or a wide variety of environmental conditions, or to those, as Delair has shown, recur approximately every ten years.

Of less apparent value but still of interest was the work of Stevens in 1966, who attempted to correlate sighting peaks or waves with planetary oppositions, an area now often regarded as sterile but one which might yet still be explored to some effect. Delair's work, however, using the evidently well attested fact that major UFO waves occurred during the summer-autumn months of 1947, 1957, and 1967, also revealed that large, but nevertheless subordinate waves also occurred every four or six years, i.e., in 1950, 1952, 1954, 1962, 1964, 1965/6, 1968, 1972, and 1973/4. These latter tended to conform to no regular geographical or temporal pattern when assessed collectively, but, while they clearly represent real flurries of UFO activity, could not be regarded as genuine major UFO waves. Accordingly, they were segregated from the major peaks of 1947, 1957, and 1967 (which were termed TYPE A Waves), and were designated as TYPE B Waves. Several later writers, in particular Jamaludin, have upheld the general validity of dividing the known UFO peaks of HISTORICAL times (that is, those occurring since 1947 when Kenneth Arnold made his epochal "first" UFO sighting near Mt. Rainier) in this fashion, although why TYPE B Waves should occur at all is still as mystifying as the day their existence was recognised. It is possible that the aforementioned efforts of Stevens has a connection of some sort with TYPE B Waves.

On the basis of the apparently regular occurrence of a ten-year repetition of TYPE A Waves during the HISTORICAL UFO era, i.e., those occurring in 1947, 1957, and 1967, a study was projected backwards in time down through the known or believed valid UFO sightings recorded before 1947. All available reports back to 1700 A.D. were plotted as annual activity curves on a continuous basis up to the year 1947, and while it was freely admitted that data antedating 1947 was generally unsatisfactory, it nevertheless represented all that was available and was, within those constraints, actually significant. The results showed some resemblance to the known, and much better documented, sun-spot cycle for the same two and half centuries, and the present writer, while stressing that there was no evidence that TYPE A UFO Waves and sun-spots

shared a common origin, suggested that as there was an apparent coincidence between the sun-spot cycle on the one hand and a recurrent TYPE A UFO Wave cycle on the other the former might henceforth be regarded as a 'prediction' tool by which to forecast when a future TYPE A UFO Wave could be expected to occur.

Indeed, it was suggested when that study was being written in December 1976 that major (TYPE A) UFO waves would probably occur in 1977 or 1978, in 1987 or 1988, and in 1997 or 1998, these being the dates when the next TYPE A wave manifestations would occur if earlier UFO behavioural patterns continued as in earlier decades. It must, therefore, be not only gratifying but also significant that a large (TYPE A) wave of UFO activity occurred in 1977, peaking, as in earlier years (1947, 1957, and 1967), during the second half of that year. The suggested 'prediction' tool appeared to work, and the results of the documented evidence for the 1977 TYPE A UFO Wave have recently been published by the Data Research unit of Contact International (U.K.) in their journal THE UFO REGISTER (report edited by Francis Copeland).


As we enter the second half of 1987, may we also anticipate another TYPE A UFO Wave during the later months of this year? If so, it would be premature to expect it to neatly manifest itself over populated areas or even over the country of a reader of this article. The aforementioned work of Dutton, Saunders, and Jamaludin showed that ufo activity during major waves 'progresses' and/or 'migrates' in various directions during the course of its occurrence, while one of the more valid conclusions of the ill-fated Condon Committee on UFOs during the late 1960s related to the virtual impossibility of predicting where future UFO waves will actually occur. Thus, if a TYPE A UFO Wave does occur later this year, or in the early days of 1988, it may do so in say JAVA, the KAMCHATKA peninsular, LABRADOR, BOLIVIA, or MALAWI, which, like so many other regions, are either remote or enjoy poor communications with the rest of the civilised world. Observers of the UFO scene may therefore find themselves receiving information on genuine 'wave' activity long after it has actually ceased due to poor interim communications, or be unable to pinpoint the focal area or areas of the relevant UFO behaviour. This, very regrettably, was the general case with the TYPE A Waves of 1947, 1957, 1967, and 1977, all of which, unlike the UFO activity usually typifying local and relatively small UFO 'flaps', at present seem incapable of being monitored by earthly observers early enough.

Nonetheless, if the temporal aspects of UFO waves can now be anticipated with some degree of accuracy, that tool at least permits ufologists to marshal their scattered resources in advance and, wherever possible, organise 'listening' stations internationally to be 'ready' for the UFO visitations. On the assumption that a TYPE A UFO Wave will manifest itself somewhere or other on Earth during late 1987 does it not behove all of us interested in the UFO phenomena to be alert to this possibility and to organise our activities accordingly?

REFERENCES

- Blocher, T. 1967. "Report on the UFO Wave of 1947" (privately published: N.Y.).
- Condon, E.U. (ed.) 1969. "Scientific Study of Unidentified Flying Objects", (Bantam Books, N.Y.).
- Copeland, F. (ed.) 1967. "Catalogue of UFO Sightings for 1977", The UFO Register, vol.12, pp.19-34.
- Creighton, G. 1969. "A South American Wave", Flying Saucer Review, vol.14, no:5, Sept.-Oct.
- Delair, J.B. 1976. "The Prediction of UFO Waves", Proc.2nd. Annual Research and Investigations Conf., BUFORA; also in The UFO Register, vol.7, pt.1, pp.22-30.
- Dutton, R. 1978. BUFORA Conf. Proc.

- Grove, C. 1971. "The Airship Wave of 1909", Flying Saucer Review, vol.16, no:6, and loc.cit., vol.17, no:1.
- Hynek, J.A. 1978. "The Hynek UFO Report", (Sphere Books Ltd., London), p.254.
- Janaludin, A. 1979. "The Geographical Migration of UFO Waves: A 10-Year Cycle?", The UFO Register, vol.10, pt.1, pp.24-30.
- Lord, H.B. 1962. "Search for UFO Patterns", Orbit, vol.4, no:1, pp.11-13.
- Lord, H.B. 1962. "Search for UFO Pattern", Orbit, vol.4, no:1, pp.2-4.
- Lord, H.B. 1965. "UFO Patterns", Orbit, vol.6, no:3, pp.15-17.
- Saunders, D.R. 1976. "A Spatio-Temporal Invariant for Major UFO Waves", CUFOS Conf.Proc., Centre for UFO Studies.
- Stevens, S. 1966. "Sighting Peaks and Planetary Oppositions", Orbit, vol.7, no:3, pp.11-14, 19.

 UFOs AND SCIENCE

by M. Soper

Text of speech given at YUFOS Annual Conference 1987

At this stage UFOLOGY after 40 years consists mainly of the collection of data: but what is data? The events that UFOLOGY deals with frequently happen only once -- so what is data? A photograph? Many witnesses? One witness? How many times was the coelocanth reported before its existence was accepted officially by Science.

In the case of Patrolman Herbert Schirmer, who encountered a UFO which had landed one December night in 1967 near Ashland Nebraska. The patrolman met humanoids which informed him that they had landed to absorb electricity and that their craft used reversible electromagnetism. Both plausible statements, but he was also told the humanoids came from a nearby galaxy.

Since there is only one witness, this case may seem fairly shaky --- out because the witness is a highly regarded official with a responsible job and the incident happened whilst he was in his official capacity we may feel happier about this case particularly as many other witnesses have reported UFOs landed near powerlines and drawing power.

Cases where there are many witnesses all in one family but if the family is known to be feckless, may be less trustworthy.

Mr & Mrs L. from St. Cyrille de Wendover, Quebec saw robot figures displaying neon bars cavorting near 730000 volt power lines on the evening of June 22nd 1974. These witnesses one might put in the medium reliability category since they are both known to each other. Assessment depends entirely on our impression of witness credibility.

Sometimes however the witness of one person can be more valuable, as in the case where Stella V. Lansing filmed UFOs apparently storing power from an overhead line on the night of Friday, February 17th 1967, Palmer, Massachusetts.

At the other end of the scale on 19/9/66 at Nha Trang Harbour, Vietnam, hundreds of G.I.s saw a bright white UFO that took off vertically upward and denied power

to the theatre in which they were seated and a ship anchored half a mile offshore for 4 minutes as it disappeared.

This cannot of course be the only reason for landing --- but they do have this remarkable tendency to land and absorb power from the surroundings, sometimes causing a chill.

To approach a synthesis between the hard-hatted view that all such reports are misidentifications or hallucinations and the view of the slightly uncritical believer who would wish to support the physical or astral existence of a large proportion of reports, we must rely more on empirical evidence and less on theory; and to do this we should face the fact of the witness and the biases of the witness.

Any strong ideology is in a sense stronger than the people who support it, however radical they may think they are being. This fact was pointed out by the great thinker Carl Gustav Jung. The strange fact is that both Strong religions and Western Science have the same tendency; they can both brush aside data that later may turn out to be true. In the last century palaeontological and geological data was brushed aside by Christianity, and some deaminations still brush aside morphological and genetic data linking Man to the animal kingdom. Science brushes aside parapsychological data, even when experiments are perfectly done with controls and careful experiment design (as in the case of experiments done by Targ and Puthoff) and mythical accounts like those of Troy and Knossos were brushed aside in the last century because the idea that the ancients could be so sophisticated was unacceptable to the main stream.

But to claim that thousands of witnesses of the UFO phenomenon are hoaxing us or lying when in many cases their disclosures damage their careers or their standing in the community is also unacceptable. Why should a locally respected couple who have worked hard for a position in the community so that they may be on councils and committees, jeopardise all that in order to tell some incredible tale that the hard-hats would reject out of hand. The motivation makes no sense. That is why the testimony of single witnesses or single families is valuable, although it may not seem so to the sceptic. The witness should be respected. Their character should be gauged.

How strong is the data? Quantitatively it is surprisingly strong: 80000 written or microfilm reports.

Over 3,500 landings, over 600 reported abductions and 441 plus closely documented cases of UFO proximity causing disruption to vehicle performance.

This is a lot of data --- for the academic establishment to ignore a phenomenon of this scale is just not scientific. As Hynek recounts: "During an evening reception of several hundred astronomers at Victoria, British Columbia in Summer 1968, word spread that just outside the hall strangely manoeuvring lights -- UFOs --- had been spotted. The news was met by casual banter and the giggling sound that often accompanies an embarrassing situation. Not one astronomer ventured outside in the summer night to see for himself."

Erwin Schrodinger: "The first requirement of a scientist is that his is curious. He should be capable of being astonished and eager to find out."

Thomas Goudge: Canadian philosopher of science: "One of the most interesting facts of the UFO question to me is its bearing on the problem of how science advances. Roughly I would say that a necessary condition of scientific advancement is that allowance must be made for (1) genuinely new empirical observations

and (2) new explanation schemes, including new basic concepts and laws'.....' the present establishment view, "Gouge concludes, "that UFO phenomena are either not really scientific data at all (or at any rate not data for physics) or else are nothing but misperceptions of familiar objects, events etc., To take this approach is surely to reject a necessary condition for scientific advance."

SINCE the responsibility for recording the phenomenon of the Unidentified Flying Object has passed by chance to UFOLOGISTS & often amateur Ufologists --- WE MUST PRESERVE DATA --- and make clear record for the future. No one else is doing it. My own fear is once we are launched properly into the Aquarian age there will be no more reports, except mistaken impressions of well known objects, and all that will remain are a few moulding dusty paper records. Perhaps we should make a TIME CAPSULE with best reports and statistics of other reports carefully preserved for future historians.

Why are scientists as they are? Why do they publicly deny facts as known to UFOLOGISTS and frequently tell witnesses that they are not capable of distinguishing perfectly distinct objects and situations. I heard one tell a caller on a radio programme that although they thought and knew they were travelling due west on a road well known to them, they were in fact going south, and that the object hovering over their house as they approached from the west was in fact a bright star in the south. Scientists who are much like Christians in their zeal, come in two sorts--- the generous- minded artists and dreamers who happen to have chosen science, and the more mediocre minds who are holding onto a career and promotion as hard as they can and do not wish to rock the boat -- or to be seen to assent with anything that rocks the boat.

Let us list inconsistencies between standard physics and the observed behaviour of UFOs:

- 1) UFOs appear to travel faster than sound in the atmosphere -- without sonic booms.
- 2) UFOs can neutralise electric power in objects near them: there are at least 441 cases of this and also the Rybinsk, USSR, case of Summer 1961 where a whole missile silo was power-failed.
- 3) UFOs can glow with a coloured light which seems intrinsic to the material which composes them.
- 4) UFOs leave unusual conditions behind them: regions in which objects levitate for a few minutes -- or in which nothing electric works: cf. Wha Trang, already mentioned.
- 5) They can emit beams of light which travel slowly or bend.
- 6) They can send out 'lightbeams' in which other objects materialise. (Gary Sedore case at Jackson point).
- 7) They can emit force rays.
- 8) They have been seen on sonar 11000ft down.

Many scientists consider (1) enough to refute the phenomenon entirely --- nothing can travel faster than the speed of sound in air without a sonic bang -- but a torch beam can. This phenomenon seems counter to our understanding of sound. What would they say about the other questions?

- 2): Scientists know of no way in which an object can have electric power neutralised in it at a distance. This challenges electromagnetic theory.
- 3): Metal does not glow with its own light unless radioactive or very hot indeed --- from close observers neither of these circumstances seem to be the case. This challenges solid state physics.
- 4): This is spatial memory --- unheard of. Our theory of time is challenged.
- 5): Either the beams of light are not light or the reported events did not happen --- light in any medium travels at a fast constant speed relative to the observer. This challenges relativity.

- 6): Real objects cannot materialise in light beams. This challenges causality.
- 7): Force rays --- tractor beams --- inconceivable from such a small source.
- 8): At 11000ft down in the ocean any known structure would normally be crushed.

Thus if any scientist is to 'come out' and say that UFOs are not mere delusions they must also face points (1) to (8) and challenge orthodox opinion on time, sonic phenomenon, special relativity, general relativity and electromagnetism. Quite a lot to challenge. So they dont.

BUT this refusal to examine a large quantity of data that has pattern and a kind of internal consistency is non-scientific.

Where then is the error: my opinion is that our concept of time is in error. Why should I say this?

- (1) Our one-dimensional system of time contains no natural and intrinsic explanation of why we have an arrow of time -- the directionality of time is an extra ad hoc condition imposed for empirical reasons on the time variable.
- (2) The complex relationship of time to space found in relativity is determined exclusively by one measurement technique -- using the electromagnetic interaction -- and the particular relationship found is characteristic of electromagnetism itself (Lorentz Covariance), thus the model is circular and suspect. (The remaining technical discussion can be found in the appendix as it contains advanced mathematics - Ed).

Now having extended our basic concepts we can begin to show how problems 1 - 8 can be solved. The fact that all our perceptions at nerve level are electromagnetic -- using the electromagnetic interaction (e.m) -- we can consider the possibility of an object that exists in one location only so far as the e.m. interaction is concerned, but in terms of all other interactions is elsewhere. BUT electromagnetically it appears present. This possibility can explain an image that moves faster than sound through air without sonic booms and when required to land can 'firm' to the extent that landing traces and effects are found; an object whose very material seems to glow, slow beams of light, apparent materialisation in light beams and images deep under the sea can all be explained.

Another consideration in a timeless physics where time is artefactual of a restricted measurement process is the distinction between the age of object and age of environment. Suppose two objects formed at the same time have very different histories, then one can be younger than the other, in spite of the fact that they are side-by-side. Following their own age-line the two objects then live in different worlds --- different because time does not exist. The explanation of this paradox is that ageing is related to interval/c and in timeless physics there does not have to be a time variable.

((Reversible e.m. may be possible when the age of a device is more than its whole environment.))

This kind of complete control of e.m. if possessed by a culture or a von Neumann probe would seem very baffling to us -- we could not count on anything being real -- solidograms or kickable projections are not something we are used to. Near lake Simcoe, Canada, Gary Sedore saw UFOs in the sky appearing in intersecting beams form a dark object on the ground (Nov. 1974).

A phenomenon of this kind can only teach us Modesty since the science completed transcends and out-performs our own. Arthur Clarke: "Sufficiently advanced technology is indistinguishable from magic."

The proud and learned have our age completely wrong -- symbols will never help us encompass the world. Man by himself is a small and insignificant creature -- only notable by what he can tune into. Tuning in is the only strength we have, perhaps the only thing we do. One way to tune in is by quiet contemplation, strong effort are not required-- Meditation is thought without symbols.

The true nature of phenomena is unknowable: as the philosopher Kark Popper showed theories cannot be verified, only falsified. All current theories will one day be falsified. Science is like Applied Fiction.

Total belief that you have arrived at the truth stultifies. But total scepticism is arrogant also because it ignores experience.

Zen Buddhists start by having thoughts and interpretations about their religion but know they have not arrived until these mean nothing. This is not as sceptical as it seems because although the mirror has emptied, timelessly all is as it was.

The answer to the

Faith in UFOs, -- Fact about UFOs.

Dichotomy is the ISNESS of the phenomenon. An experience of an incontrovertible sighting is an event on the level of consciousness or awareness of the world: It IS. To relate it only on the level of faith or fact is to miss the point -- it is to cash your experience into a datum you may wish to persuade others of. But Persuasion is pointless-- brains are all wired differently.

Data is collected for others, for society, and to obtain an objective outline on the basal level -- reports. At Contact International we collect data, systematise it, and computerise it -- but most workers do not spend overlong on interpretation we're too busy. This process transcends the individual in two ways: A. The collection of data is for society. B. Long term study of the reports provides something the individual can tune into.

Digression: there are many more than 600 cases involving interaction with humanoid. They pose a problem -- given that UFOs often of identical form have been seen throughout history -- why so many sightings now? If all times are equally open to them, why do they collect lavender, alfalfa, specimens and rock-samples now?

The data that Ufologists possess, both undeniable and compendious should be courageously presented to society and sincerely interpreted when possible -- no one else seems to be doing this job.

After 40 years of Ufology involving sceptics, believers, trippers, sages, missionaries, politicians but most of all unpaid amateurs perhaps we can now begin to show how the establishment is wrong, and the data carefully sifted and presented is right -- and is capable of producing much needed changes in our worldview and worldcounter.

It seems 'time' is out

e.m. chauvinism is out

but also 'tuning in' is in.

References:

1. The missing seven hours, Haisell, PaperJacks.
2. Electromagnetic Theory, Solymer, Oxford.
3. Those who watch, Robert Silverberg.

APPENDIX

3) Time must contain indefinitely small increments or successive states of the Universe would be connected only by our desire to measure. BUT the infinitesimal time increment dt , is associated by $dt \cdot dE \approx h$ with a large virtual uncertainty in energy and if dt is small enough dE is larger than Mc^2 where M is the mass of our finite Universe -- but virtual energy is larger than any quantity of energy can ever be (by conservation of energy over the whole Universe) at every single instant of the existence of the Universe?

4) Suppose there are in the world reversible processes, this is not much of an assumption -- for example the operation of concatenation is considered reversible. Let t be the time variable, let $t+$ to denote $t+dt$ and $t-$ denote $t-dt$. Where dt denotes a small increment of t . Suppose that there can be a reversible process, P , which changes an input $I(t)$ into an output $O(t)$, and consequently $I(t+)$ into $O(t+)$, and $I(t-)$ into $O(t-)$; and delayed feedback process that modifies $I(t)$ with a delayed function F of $O(t)$. This can be written in an equation.

$O(t) = P(I(t) + F(O(t-)))$ which can also be written

$P^{-1}(O(t)) = I(t) + F(O(t-))$ where P^{-1} reverses P

or $P^{-1}(O(t+)) = I(t+) + F(O(t))$ or

$I(t+) + P^{-1}(O(t+)) = F(O(t))$ or

$O(t) = P^{-1}(I(t+) + P^{-1}(O(t+)))$

all these forms are equally valid: but the last one gives the present output $O(t)$ ENTIRELY in terms of future inputs and outputs, which we cannot know.

Either there are no reversible processes, or we have to bring to our time model extra conditions which are not intrinsic to it.

There are four arguments that make our one-dimensional time variable suspect. Suppose we omit the time variable how can we possibly construct a physics?

The answer is to note that we always use the electromagnetic interaction to measure thus this must be under the rules of quantum mechanics introduce a bias. We may construct alternative models as long as this model reduces to one like the standard one when we measure it.

Firstly we let $L = ict$ where $ii = -1$

then we create a dual space of three parameters U, V, W related to L by $LL = UU + VV + WW$

Let our normal space have three parameters X, Y, Z .

Then $SS = XX + YY + ZZ + UU + VV + WW$ is related to the interval (s); (and SS/c is related to proper time or relative age.)

On measurement we assume U, V, W are 'invisible' only a scalar length L is obtained and appears after measurement as t .

The next bit is very technical but briefly for those who can follow: Consider six parameter matrices:

$$\begin{pmatrix} \emptyset & X & -Y & W \\ -X & \emptyset & Z & V \\ Y & -Z & \emptyset & U \\ -W & -V & -U & \emptyset \end{pmatrix}$$

and replace each variable by the partial derivative with respect to it. Call the resulting operator D_6

There is a matrix called F in electromagnetic theory with this form containing vectors \underline{E} and \underline{H} : let F' denote this matrix with \underline{H} and $-i\underline{E}$ swapped. Denote by \ast the Lie product $p'q=pq-qp$:

Let $D6'$ denote $D6$ with X,Y,Z swapped with U,V,W respectively then:

Operator equations:

$(D6'F-F'\ast D6')()=J()$ is one of Maxwell's equations, where J is a matrix of constants.

$(D6D6 + D6'D6')()=0$ is Laplace's Equation

$(D6+id6')v=(2.\pi.m.c/h)v'$ and

$(D6-id6')v'=(2.\pi.m.c/h)v$ is Dirac's equation.

In this system Gravity can be treated as a very small duality rotation with an imaginary angle: α

$$2\cos\alpha\cos\alpha=1+(2Gm/ccr)$$

m is a local mass, r is its distance. Let dv be the incremental length of a vector in (X,Y,Z) and dv' in (U,V,W)

$$\text{then } \frac{1}{2} ds^2 = \cos\alpha.\cos\alpha.dv.dv + \sin\alpha.\sin\alpha.dv'.dv'$$

describes gravitational fields near masses.

All the equations above become standard ones when measured because U,V,W, become measured as the single variable t. None of these variables moreover is a time and the six-space is timeless.

RECENT UFO REPORTS

BY Data Research

The following reports were telephoned direct to Data Research headquarters at Wheatley.

8/2/87 Early Evening, Towcester, Northants.

A square object surrounded by blue and red lights with flashes of light crossing the object was seen heading west to east at airliner speed. The craft was silent. The witness was a Flight Lt. from Upper Heyford Air Base. Conditions were clear.

29/5/87 5.30p.m Oxford.

Three middle-aged ladies witnessed an oval object appearing as a bright light making a loud whining noise. Two smaller objects emerged from the large object. They watched for 20 minutes and then all the objects disappeared in a flash of light.

24/6/87 Midnight- 1 a.m. White Horse Hill, Uffington, Berks.

A column of light many feet long was seen moving east to west very fast. No object was visible through binoculars and it was silent. The incident was witnessed by a group of CB enthusiasts at this popular vantage point.

4/4/87 7.15 p.m Wantage, Oxon.

Two ladies witnessed 3 rugby ball shapes in light form coloured a brilliant orange. The objects were stationary for 25 minutes, and appeared very large about the size of a half-moon. They were estimated at 1000 feet away and about 500 feet high. There was no sound. The objects just switched off after the viewing period.

20/6/87 10 a.m. North Oxford.

Six very large white lights in line formation were seen heading west at low height. There was no noise. Four female witnesses rang in but would not give their names. They sounded very sincere.

29/7/87 Midnight. Stanton Harcourt, Oxon.

One very large elongated light, going from W-E with a large tail coloured white and green. The object was moving very slowly taking 3-4 minutes to disappear. The witnesses were husband and wife.

These 6 reports compare with 15 telephoned in by the same time in 1986.

Report From Investigator. Andrew Hardie.

18/8/87 10.30 p.m Cumbernauld, East Kilbride, Scotland.

Witness A. Hardie, was looking out from the front window of his home at the stars through 8 x 30 binoculars. He noticed two very bright stars. As he focussed on one of them it started to move, first very slowly but then got faster and faster. It then stopped for about ten seconds and started again faster. After travelling an estimated good few miles it stopped again for 15 seconds and restarted still faster. It continued to increase in speed until it finally vanished -like someone switching off a light.

The witness first thought it as a satellite, but satellites dont stop and start and change direction.

YOUR SCREAMSYOU NEVER HEAR

Terry Johnson, 1987*

Television, radio, and the movies have inundated the American public with UFO stories: possibilities, non-fiction, fiction and as a subject of ridicule by talk hosts who have guests to enable them to put their guests down.

Radio had a day to remember when it broadcast "War of the Worlds" and persons jumped out of windows rather than face the horror of Aliens, and the realization our ego-centric belief we are the only intelligent life in the universe is false. Minds do break over such a severe threat to their belief-reality; the audience of the show who didn't know the show was fiction panicked at the end of their world view.

Today we have the government saying UFO's don't exist on the one hand, then

keeping careful records and studies of incidences on the other. They don't want to look foolish about something that might not be true, yet they also don't want to overlook a potential military threat to the state's survival or the chance to extend our knowledge of our universe. However, what about the individuals who have already experienced contact the third kind, who are haunted by a memory that seems unreal/dreamlike, but causes stress, anxiety, breakdowns, bad dreams; a continued questioning if you are healthy, and if you are -- can you stay that way.

How can you tell if you have had a similar experience:

1. Are there unexplained absences of time in your life which you can't explain?
2. Did you wake up in a different spot than when you last remember?
3. Do you have headaches, nose running, nervousness etc., for no apparent reason?
4. Have you ever woken up with markings on your bodymind and you have no insight as to how they got there?
5. Were you ever followed by a light, then the next thing you knew you were miles away from where you were.
6. Has mechanical failures, high pitch noises, etc., happened to you and then you remember nothing until you wake up with a sense of wrongness about you?
7. Have you blacked out and come to briefly and seen a vision (especially for your belief state) of a road or car lights on flashing trees, then out again, with the uneasy feeling that what you had just seen wasn't real?

These are the physical happenings that occur when you are picked up by a physical UFO, but what about more esoteric journeys:

1. Astral Projection - where you etheric double leaves your bodymind; you are directed to a particular telepathy place and held there by beings - aliens-persons that drew you there?
2. Dreams - sequences set up by others outside to test you in particular telepathy-life threatening situations.
3. Psychic warfare - you are seen as a threat; aligning others against you they use psychic energies, dreams, astral projection and symbolic dreams with co-ordinated psychic blasts of white balls of sticky light to hit your psyche at the same time you run into a dream sequence that hurts you.

In this paper we deal with Contact of the Third Kind: physical kidnapping (a criminal offence).

Physical Kidnapping

UFO Kidnapping can occur anywhere and at any time of day. Energy used to drive star ships can also be used to manipulate the human mind on a wide scale. It can also be focused on a single person, car etc., These kidnappings are not random; psychic focus is used to discover the most promising place to find the type of humans needed for their research, manipulation and testing. Subjects are also picked up for particular jobs, which only they can accomplish.

The person being kidnapped is put under a white light tractor beam that signals on a wide scan ultra violisomic magnetic induction effectively neutralizing your will to escape (see "The Colbys" last episode - Fallon meets UFO and starts to run away but stops and turns docile and enters the starship without question) putting you into a deep Alpha state so you are aware but unable to escape its influence.

The second step of this abducting is framed by whether you are in a car or

outside with no cover around you. In some cases the whole vehicle with you inside it is drawn up into a cargo bay, or you walk into the ship controlled.

Once inside, teams of scientists come out and test all elements you brought with you, till they are satisfied you are safe, then you are stripped naked and put through decontamination. Past this frightening experience, you are taken to the first stage of your individual medical and psychological profile; let me make something very clear:

1. You are not in control of your bodymind at this time - you are under a brain wave adaptor, which keeps you docile, but allows your true reactions to the tests.
2. You are nothing but a guinea pig to the aliens.
3. Bodymind work is usually first: reflexes, pain threshold, skin healing density, semen production, ovary production, sexual compliancy, body readiness for birthing process, pleasure, intensity pleasure to point of pain etc., the longer it goes on the more threatened, abused, scared the person becomes. Before leaving this first stage you are healed by a mist that heals instantly.

Second Stage

The next stage is: psychological response, along with brainwashing, memory manipulation, talent discovery, psi-talent level, physical expertise, design and training, UFO victims if they remember it all, would call this room the little shop of horrors; every psychological fear you have or have the potential for is found and taken to its farthest point just before causing you to go insane. After your testing is finished then these fears or the most virulent fear is kept ready for the final stage of your testing. Along with this or these fears another fear is implanted to intertwine and become stronger than the others, but drawing its strength from your belief and character traits, so it becomes the dominant repression and keeps you from going into any memory you might have of the kidnapping.

No part or aspect of your bodymind is safe, they prod, burn, shock and cut to find the answer they seek. They stimulate sexual juices, then store it for future use. This is true for men, women and children. They use ultra-sound, organic light image for X-rays, and physical terror to test your stamina (this is science, anthropology, neurolinguistics, and physiological conduction).

Torture is used as well: bamboo and steel slivers underneath the fingernails and in orifices, nails are run through hands etc., to other parts of the bodymind. All of this physical harm and near death states is tied to a single word being repeated over and over: - OBEY.

Third Stage

This room is for change; to test out new personality patterns and to lay low old ones. Most of these changes are violent oriented to see how far human aggression will go. Subliminal tapes put into the mind with neurolinguistic organic sensation replaces old memory patterns and personality patterns that are not within the scope of the induced character traits. New talents were also induced on certain humans; they were then placed in an environment in which these new aggressive talents would arise and the results could be monitored. Any state is a possible laboratory and many were used that used death and destruction to keep the local populace in line. These humans or human were placed in a situation in which local enforcers were sure to try to harass them and when they did all hell would break loose.

Of all that were put in this position one became the star; he conquered every city he or she was placed on - this neurological unpattern became known as Cat-Death, but this person was also Cat/Hulk/Jennifer; this person changed hats as needed.

Fourth Stage

Deep breathing in different types of atmospheres; rugged training in muscular control. Psi-techniques to make the Cat new persons extremely hardy and uncast-able. Designs in neuro-patterns are fine tuned and reflexes are taken to the highest scientific degree; martial arts are refined to a cutting edge; and other adaptive processes are refined and made part of the Cat's consciousness.

Fifth Stage

Here is where the memory is locked into the old neuro-patterns to allow the new pattern to become a potentiality always just under the surface. To keep this new identity stabilised and in place fear, torture, sonic vibration, sexual positioning, handling of the sex organs roughly and with abandonment and scientific coolness. Degredement is the rule rather than the option, and all work is tied to the previous experiences, then all is overlapped by a monster overlay, which is a monster you are most afraid of. All of this will stay in place until the you pattern drops away and the Cat pattern emerges when the Cat is in any danger or is ordered to do so by its creators.

15 to 20 year hold

This neuro-secondskin technique seems to last about fifteen to twenty years. It's extremely hard to breakthrough, the best way seems to be hypnosis. Dream-work may help you break through to these unknown, by you, no neuro-pattern is easy to give up for it is tied into your fears and your dreams. As in brainwashing this second skin is based upon a single red line character fear and an interweave strength; after this is set new character traits are added building on this single interweaving. The acceptance of this by the human kidnapee is carefully orchestrated so the person sees this red line interweaved character trait as the bottom line of the Cat Death Persons. This belief is such that the person protects it with their entire being for they see that this trait is best for them no matter how much pain may be behind it; in fact because of this pain it becomes a symbol of inner strength - this is the martyr complex; you are honed by the amount of pain you can overcome.

Our primary bodymind denies the existence of the second and by that denial assures the continued existence and power of the Cat Death Persons. The person becomes a walking single person soldier-warrior and the most deadly beings in existence for they feel this second skin is them, made by them, for them and they completely intject (swallow whole, making it their own) and protect it as if their life depended on its continued existence.

Home Again.

After this you are taken back to the cargo area for deportation. You are held there until you are beamed down or put down near or far from where you were originally picked up.

You wake up as if you've been asleep. You may feel something weird has happened, but it feels weird just to think about it, so they deny any feelings about the incident at all and with this the third skin begins the fantasy that nothing happened to you, thus you are just as you were and you begin to protect this

third skin as if your total being would explode and die if you didn't; your total body mind life energy becomes directed toward this protection of the lie that nothing happened to you. This protective demand brings; 1. feelings of guilt about not realizing the truth, thus you clamp down on yourself even more, 2. underlying sorrow, 3. self-punishment and unforgiveness toward yourself, 4. strong self-denial, not to, would place you in catastrophic danger, 5. dispersion of energy in displacement of denial of fears.

You are now triple armoured and this isn't resolved easily; it can take years, before you even realize you are fighting a memory. Your everyday existence becomes a battle of the triple character armour that you now have to plough through to live and to make decisions. Integral war becomes that natural and free movement of a natural person is rare. This conflict can last for years showing up in little ways: 1. chronic runny noses, 2. migraine headaches, 3. mental breakdown, 4. acute nervousness and chronic nervousness, 5. high anxiety over non-specific fears, 6. nervous tics, 7. unwarranted or paranoid fears, 8. fears over places or objects, 9. nightmares, 10. self-destructive feelings and suicide attempts or ideas, 11. fear of being alone, 12 etc.,

All these can be symptoms of other things, but if there are instances where you weren't sure of lost time, woke to be somewhere other than where you should be or other unusual incidents, it would pay you to check it out.

Are Aliens Friendly

Every alien society out there doesn't do everything we described; there are inimical forces as well as democratic forces in space, but all are either highly technologically evolved (they travel in space as easy as we travel by car) or they rely on psi-force to travel instantaneously. These races all have a serious defect in common; they are all governed by states, royalty or stratified tribes and leaders. A third majority force out in the universe that cuts across states, tribes, families is the Multi-galactic corporation. These giant corporations are governments in themselves; they have their own armies, money, etc., and they are business oriented. The strongest and most active, controlling 85% of the galaxy is the White Unicorn Corporation; it also controls 75% of all the products made in the universe, spends billions each year on art and entertainment, and helps struggling new planets develop or DOR (Deadly Orgone Energy - Wilhelm Reich) stagnated planets become beautiful and healthy once again.

Along with this is a new force coming alive in the Universe. originating on Earth it has already made giant leaps into the political and spiritual structures of the universe. This new force is called Dream Dancing and it has already redesigned the spiritual astral planes of the Earth and has also redesigned the spirit planes of the dead from human societies, all human societies.

Finally there is the most persons powerbase in the Universe; the builder and CEO of the White Unicorn Corporation, whose exploits are well known in all areas of the Universe, who is known for the music that he and his band plays throughout the universe and who cares for the overall health of the corporation and watches with a keen and deadly eye. This being is human and wears different hats, some of which are CAT-PRIME, I-HULK, SHADOWSILVER, and more. He/she has their fingers in many pies.

HUMAN Rights

Alien races do not have the right to treat the peoples of Earth as animals on a private preserve or as scientific guinea pigs. Humans have an innate right to be free of kidnappings and torture. To this end the author is forming UFO Victims Support Circles, to work toward the end of these kidnappings and violence, to transform this contact into open and respectful to all parties involved.

Crimes committed against humans before the signing of any treaties or non-aggression pacts are not forgotten and repayment to parties and families must be negotiated. A list of victims is being started now; if you feel you've had a similar experience please write D.O.L.P.H.I.N. Box 91862, Long Beach CA, 90809-1862. The first name on this list is: Kevin Johnson - murdered by Aliens.

Techniques to Manage Your Fears

How do you begin to work with these hidden fears and terrors of your contact of the third kind? First you take them from being unspecific and free floating anxiety to specific and aware in a non-threatening way. To accomplish this we use a method experienced by the author when attending Cal. State University of Dominguez Hills in a group run by Dr. Nancy Schuller, a clinical psychologist, utilizing creative fantasies to stimulate self-growth.

This group was divided into three aspects: first was a step by step relaxation, where each area of the bodymind is relaxed and focused on till the entire bodymind has been gone over. Second, is the fantasy itself, this could be given step-by-step or just a sketch was given and the group members fill in the details (try not to edit what you get). In this phase there was also spillage from one persons fantasy into another member of the group's fantasy, now you tell if this has happened is by the texture of the fantasy symbol, it feels different than your own. Third and last, each person shared their fantasy if they wished, and the rest of the group then would give their feelings about what they saw the fantasy meant for the person.

Creative Fantasy Technique: We are going to use this method, but with a slight difference we are going to give each fear a fantasy symbol, but we aren't going to use the group, but do our work with ourselves using a gestalt therapy technique: role playing. First, we are going to give each of our fears a fantasy creature, object, etc., something non-threatening. It's your fantasy creature, pick something you're comfortable with.

Once you have picked this character, standing for your fear: specific or unspecific; you now role play with it, in which you start off by asking what it has to say to you. What you get out of this is what you put into it; you lie to yourself and you gain nothing, you work with yourself honestly and truthfully and you begin to relate these fears to where they began, then you can work through them. To get the creature to talk to you and answer you question of what it has to say to you; you switch chairs and answer you by talking for the fantasy creature. Again be as open, honest and as truthful as you can.

Creative Writing: You can also write a story, then use each character as an aspect of your own personality, and then role play with each. Start with the characters that stand out the most (foreground), then when it feels finished (you have roleplayed with all the characters you feel are important right now, then you role play with the rest of the story characters, objects, etc., as background) wait a day and write another.

If you wish to do it a different way write out the dialogue in the same manner as role playing.

Dreamwork

Keep a notebook by your bedside and write down any dreams you have right after having it or the first thing after you wake up in the morning. Work in the same way as above.

Bodymind Movements

Here you choose a bodymind move that expresses your fear, then as you do it naturally you feel, within the movement, relaxed spaces and freeze when it feels right to do so. You hold this frozen posture until you feel it is right to continue to finish the movement itself. Do it in character, if necessary, or just as yourself. Allow any thoughts to be free you don't own them, allow them to pass through your mind. Our conceptual categorization of physical forms, have no realistic defining of that which it describes. Be free in your creativity as well as your totality.

Conclusion

UFOs are like the states of Earth; peaceful when it is profitable for them, they gain knowledge and can better their position, with no thought to individual rights. This shows the criminal intent against each individual inalienable rights: 1. Human Rights, 2. Civil Rights, 3. Life Rights.

It is up to you to defend these rights for yourself; no government does it for you, unless they profit by it far beyond protecting an individual's right. You are self-responsible for yourself. The universe is in movement, its own; it doesn't make your life; you make it what you will. A beautiful thought and a freeing thought; you're not responsible for the universe or anyone else and they aren't responsible for you.

* To contact Terry Johnson or D.O.L.P.H.I.N. Write - Box 91862; Long Beach, CA.; 90809-1862.

To contact Dr. Nancy Schuler: write c/o Student Development, CSUDH; 1000E. Victoria, Carson, CA 90747 or her office 2323 Loma Vista; L.A., CA.; 90039

(Editor: This article has been submitted from America. Although it appears to be verging on the cultist, there are some interesting concepts mentioned. Corrections have been made to the spelling where feasible, but certain words or expressions have been left open to interpretation.)

AGAIN ON THE INERTIAL PARADOX

by Kiril Terziev*

Another Variant in the Concept for Eliminating the Effects of Inertia.

In an earlier article of this author¹ a mechanical concept was considered in an attempt to explain the amazing manoeuvrability of UFOs. The principles of the discussed theory are correct, however, it may not explain the "sinusoidal" and undulatory motions² of UFOs which are contained in this other variant based on the same principles: consider it.

In Fig 1 is shown a) front, and b) plan view cross sections of a circular

flying machine with centre O_1 , which is the centre of gravity, the location of the pilot cockpit. Left and right, at equal distances r from the centre O_1 , are placed two identical in form and mass gyroscopes G_2 and G_3 whose centres are O_2 and O_3 . Since our flying machine is airborne - this means that it is capable of hovering when it is in a horizontal position⁴ (see fig. 4a) - it (i.e. its centre O_1) may turn either around O_3 (when the gyroscope G_2 is rotating in the opposite direction) or around O_2 (when the gyroscope G is rotating in the opposite direction).

Always when one gyroscope is in operation, the other is at rest. The gyroscopes help produce the stability and the control of the craft whether left, right, or inclining. With the help of them the machine may perform changes in speed and direction motions in space so that the pilot does not feel inertia.

We shall prove these assertions.

Let our flying machine be hovering in a horizontal position. If now one of the gyroscopes, say G_2 , begins to rotate, in accordance with the law for conservation of the angular momentum, the machine itself (its centre O_1) will begin to turn around a point O , which lies on the straight line O_2O_3 , in a circle with radius R (Fig 2a). The moments of inertia (the masses of the machine and of the gyroscopes as well as their radius and the distance r between the points O_1 and O_2 i.e. O_3 could be chosen such that the point O coincides with the point O_3 . So, when the gyroscope G_2 is rotating, the flying machine will be turning around the centre O_3 of the gyroscope G_3 (Fig. 2b). This means that, under the mentioned conditions the pilot cockpit takes part in two circular motions with same angular speeds: around the centre O_2 of the rotating gyroscope G_2 , and around the centre O_3 of the non-rotating gyroscope G_3 . As both circular motions have equal linear velocities but are opposite in direction, the pilot is subjected to two centrifugal forces f_2 and f_3 which are equal in magnitude but are opposite in direction. This means that the pilot does not feel inertia - he is not pushing in any direction although his cabin performs circular motion in relation to the earth.⁵ We shall explain some details.

When the gyroscope G_2 is rotating, in accordance with the law for conservation of the angular momentum, the machine itself (its centre O_1) rotates in the opposite direction around the centre O_2 of the rotating gyroscope G_2 in relation to the very point O_2 . Since the machine is circling, it appears to change in direction the centrifugal force f_2 because of which, the machine, together with the rotating gyroscope G_2 , rotates around the centre O_3 of the non-rotating gyroscope G_3 , in relation to the earth. Now again, because of the craft's rotation around O_3 ,

there appears the other centrifugal force f_3 . In Fig 3, are shown the rotation of the gyroscope G_2 and the rotation of the machine around O_2 as well as the rotation of the machine, together with the gyroscope G_2 , around O_3 in relation to the earth.

The circular trajectory in which the centre O_1 of the craft moves while it turns around O_3 (or O_2) we shall call the inertial circle.

When the angular speed of the gyroscope G_2 is accelerated or decelerated, the angular speed of the machine is also accelerated or decelerated. If the gyroscope G_2 stops, the machine also stops. If the gyroscope G_2 begins to rotate in the opposite direction, the vehicle begins to revolve in the opposite direction too. In all these changes the pilot does not feel inertia since the changes of the two angular speeds, around O_2 and O_3 , are equal. Of course, the angular speed of the gyroscope G_2 and its changes are much greater than the angular speed of the machine itself and its changes because the difference in their moments of inertia.

Instead of the gyroscope G_2 , it could rotate the gyroscope G_3 ; then the machine will perform a circular motion around the centre O_2 of the non-rotating gyroscope G_2 .

If during the movement along an inertial circle, the lift force U_1 is increased or decreased, the machine will move along a (inertial) spiral line upward or downward (Fig. 10a). If, while moving in an inertial spiral, the gyroscope stops rotating, it will continue to move vertically upward or downward under action of the increased or decreased lift-force, without turning or rotating. The vertical force, which is equal to the difference between the lift-force U_1 and the craft's weight W (see Fig 4a), must be of such a magnitude, that the pilot withstands the vertical acceleration or deceleration in both directions.

With the help of the two gyroscopes our flying machine may displace in space, i.e. to move horizontally. Namely, let the gyroscope G_2 begin to rotate until the machine performs a turn of 180° and stops. If now the gyroscope G_3 begins to rotate in the same (Figs. 5a and 6a) or opposite direction (Figs. 5b and 6b) until the machine again performs a turn of 180° and stops, the centre O_1 will displace for a distance of $2r$. The machine will be displacing in space, of course horizontally, if it continues the described turns around O_3 and O_2 for 180° finishing with stops. The trajectory will consist of half inertial circles which in the second case will look like sinusoids (inertial "sinusoids") lying in a horizontal plane. This trajectory will appear more like sinusoids if the turns are smaller than 180° (Figs 5c and 6c). The "amplitude" of the "sinusoids" may be very small, so the trajectory looks like nearly a straight line. Of course in this motion the pilot does not feel inertia.

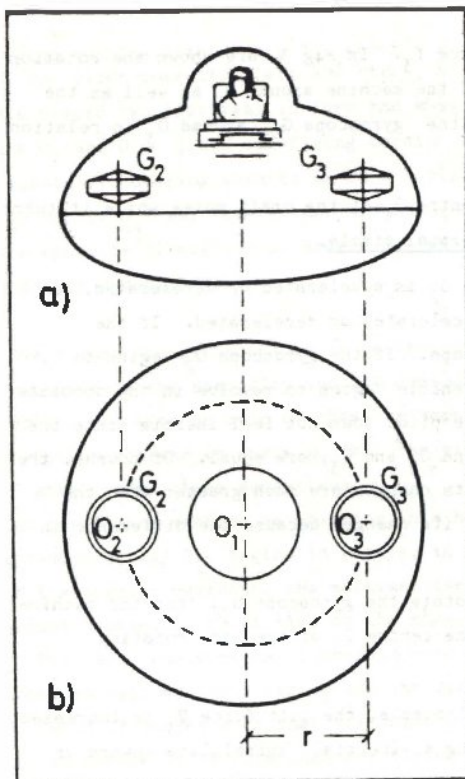


Fig. 1

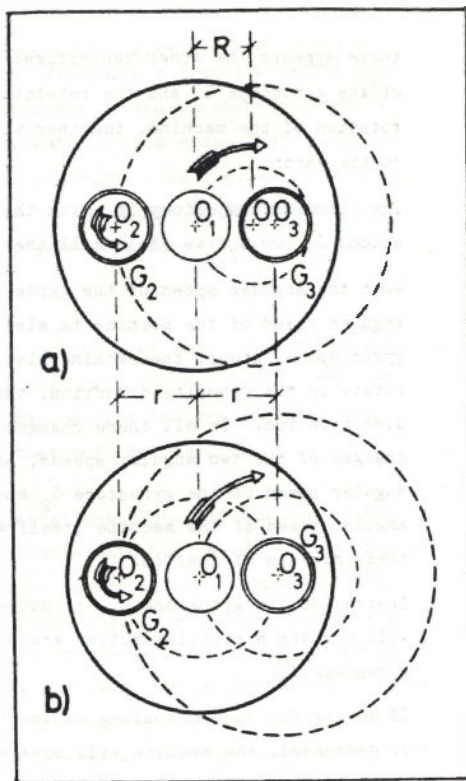


Fig. 2

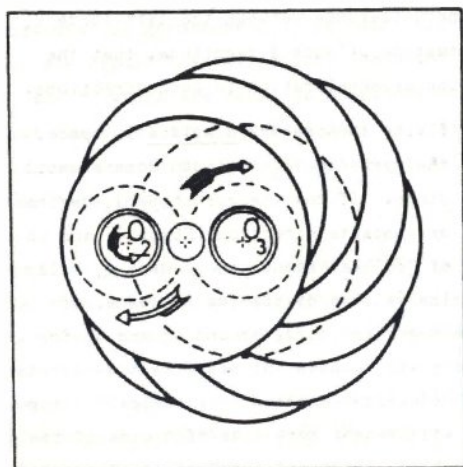


Fig. 3

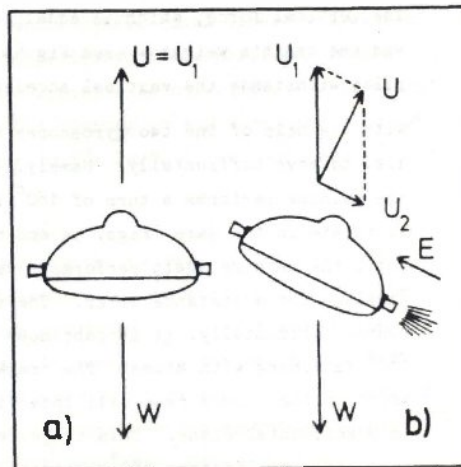


Fig. 4

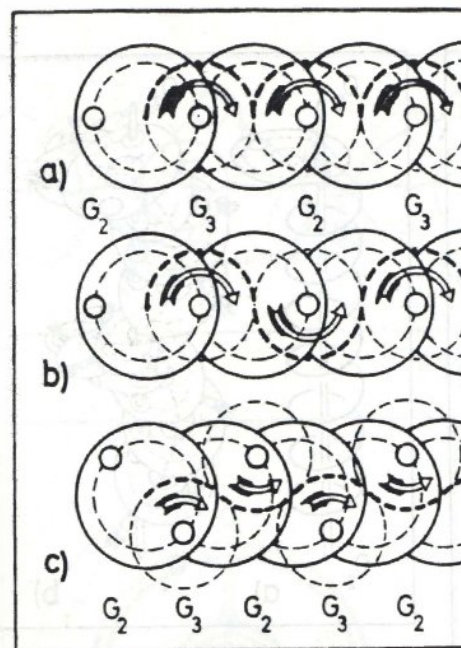


Fig. 5

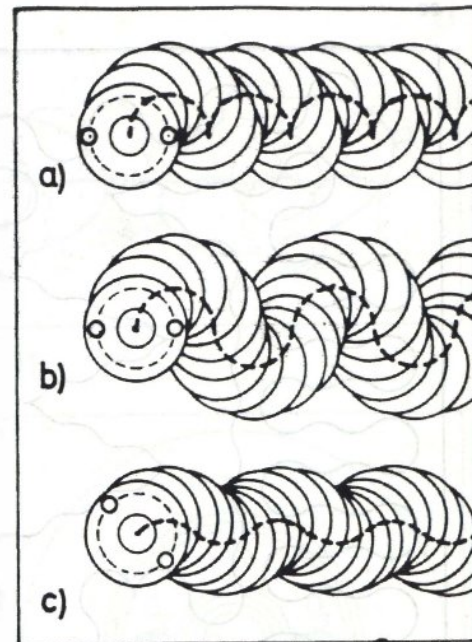


Fig. 6

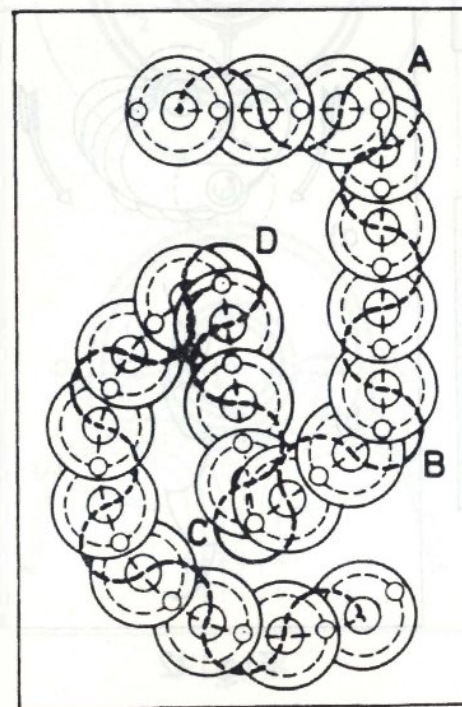


Fig. 7

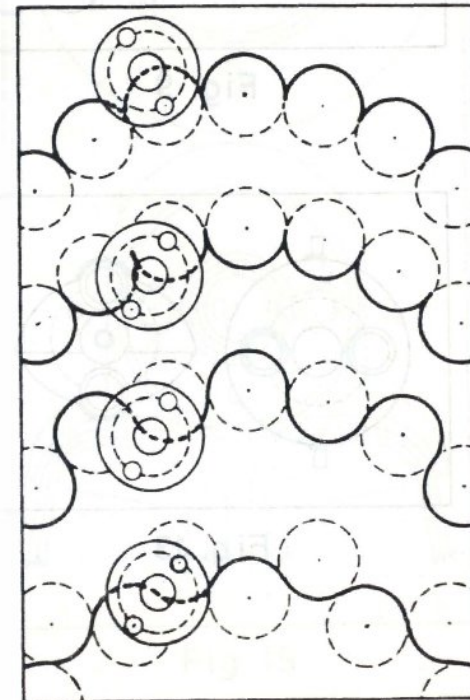


Fig. 8

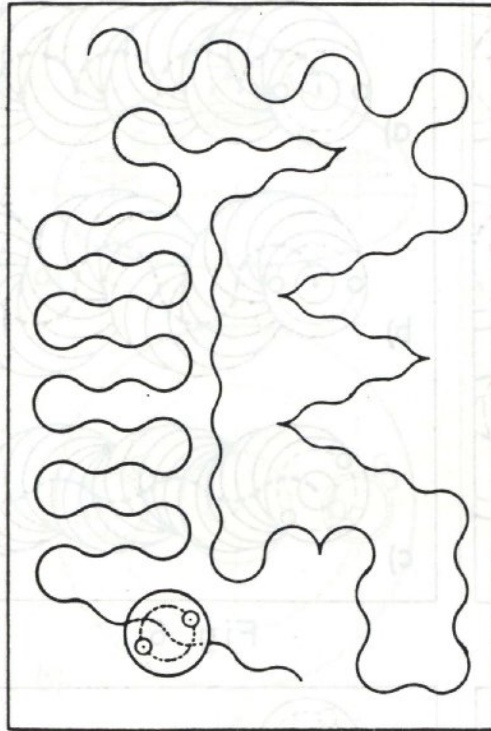


Fig. 9

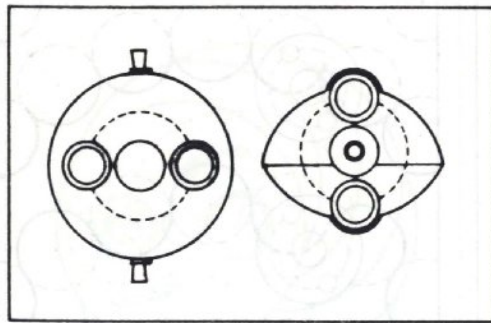


Fig. 13

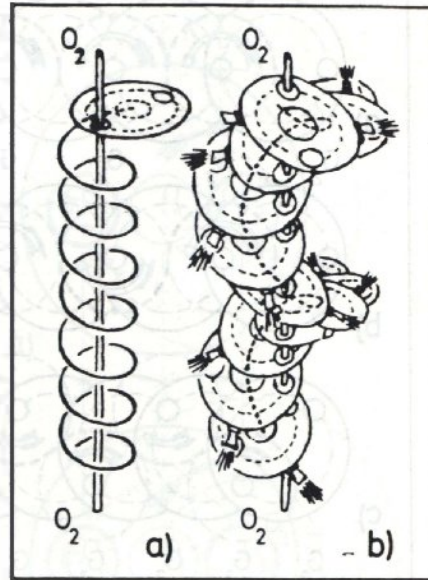


Fig. 10

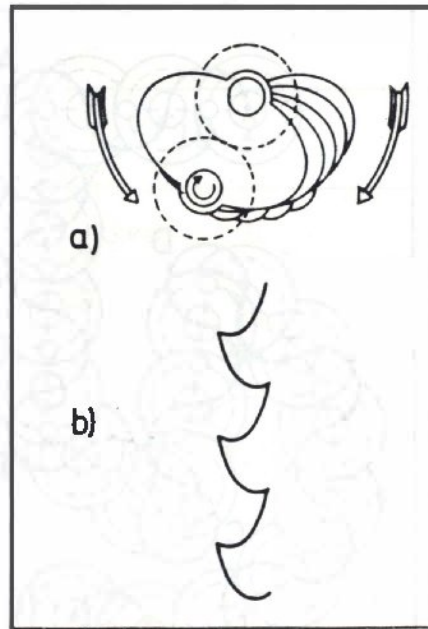


Fig. 12

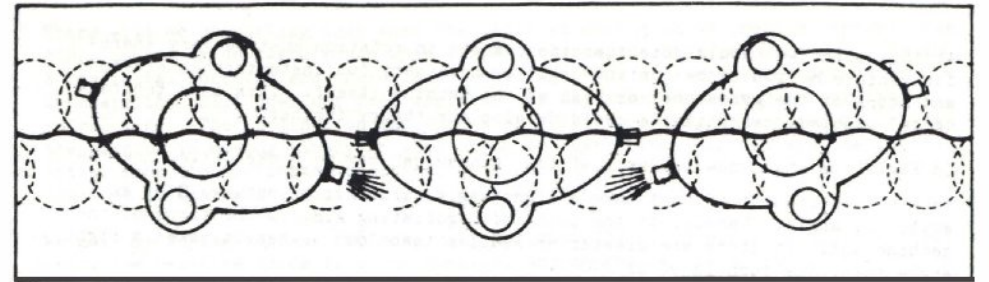


Fig. 11

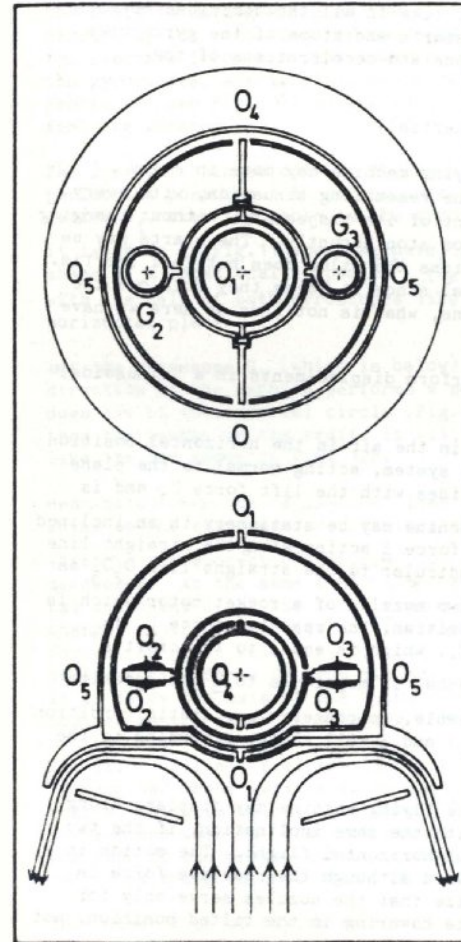


Fig. 14

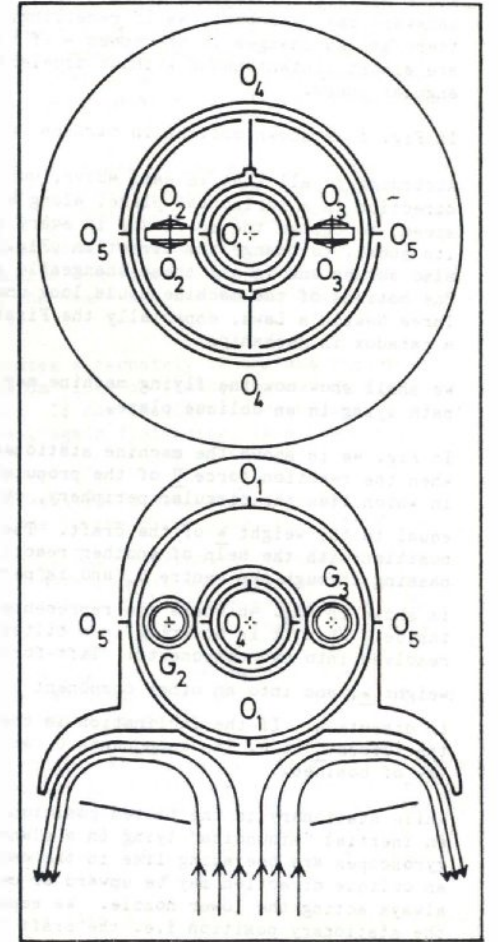


Fig. 15

At this point we should note that the changes in rotation must be very sharp for vehicle motion to be continuous it is necessary for instantaneous starts and stops of the gyroscopes as well as the machine itself. This is a technological problem; meanwhile we could develop our theory further.

In Fig. 7 is shown how the axis of the "sinusoids" may be broken, i.e. how the machine, in its motion, may make a right angle turn (A), an obtuse (B) or an acute (C) angle. Namely, in the point of negotiating A,B,C,D the turns of the machine until it stops are greater or smaller than 180° (when it makes a right angle turn, the turn is 90 or 270°).

The machine may reverse its direct on if in the point of swerving it makes a turn of 360° . Or, if at this point, it stops and begins rotating, again with stops and starts, in the opposite direction (see Fig. 9). The reverse motion backward may be abrupt, as if repelling, if, like in all the described motions there are no changes in the speed - if the starts and stops of the gyroscopes are almost instantaneous without accelerations and decelerations of the angular speed.

In Fig. 8 is shown motions in circles (no Inertial)

According to all what is said above, our flying machine may move in every direction in a horizontal plane, along a line resembling sinusoids, with every speed, to change the speed and in every point of its trajectory, without changing its speed, to change the direction (Fig.9) or stop abruptly. The starts may be also abrupt and in all these changeable motions the pilot does not feel inertia. The motions of the machine would look unusual since it seems they rule out the Three Newton's Laws, especially the First One, what is not true as here we have a paradox in Mechanics.

We shall show how the flying machine may perform displacements in a "sinusoidal" path lying in an oblique plane.

In Fig. 4a is shown the machine stationary in the air in the horizontal position when the reaction force \underline{U} of the propulsion system, acting normal to the plane in which lies the circular periphery, coincides with the lift force U_1 and is equal to the weight \underline{W} of the craft. The machine may be stationary in an inclined position with the help of another reactive force \underline{E} acting along the straight line passing through the centre O_1 and is perpendicular to the straight line O_2O_3 as is shown in Fig. 4b where are represented two nozzles of a rocket motor which is inside. When it is hovering in a tilted position, the reaction force \underline{U} is resolved into two components: lift-force U_1 , which is equal to the craft's weight \underline{W} , and into an other component U_2 , equal in magnitude to \underline{E} but opposite in direction. If the inclination is changeable, to conserve our static condition the forces \underline{U} (i.e. its components U_1 and U_2) and \underline{E} will change according to the law of cosines.

While stationary in the tilted position, the flying machine may displace along an inertial "sinusoids" lying in a plane with the same inclination, if the two gyroscopes are operating like in the case of horizontal flight. The motion in an oblique direction may be upward or downward although the reactive force is always acting the lower nozzle. We emphasize that the nozzles serve only for the stationary position i.e. the craft to be hovering in the tilted position, not for moving.

Meanwhile, since the nozzle is wobbling from side-to-side, the pilot feels rocking which will intensify as the "amplitude" of the "oscillation" increases.

There will be no rocking only when the craft is moving in an inertial spiral (Fig 10b), upward or downward since when it is inclined, the straight line O_2O_3 is in a horizontal position and there is no wobbling. Now at every speed upward or downward the pilot does not feel inertia. It may stop in every point of the spiral line. The inclination may change in a relative long time interval or when the machine is moving slowly or when it is at rest. The craft enters the inertial spiral from the horizontal position, if it was moving horizontally - and in such position it leaves it, continuing to move horizontally.

We see our flying machine may move only horizontally (in every direction) without using the reactive force from the nozzles, and to change the altitude only in the inertial spiral, using the nozzles, of course when the pilot does not feel inertia.

There is a possibility that the pilot will not feel inertia, i.e. rocking, while the craft is moving along an inertial "sinusoids" lying in an oblique plane. Namely, if our condition for hovering in the tilted position includes changing of the reactive force \underline{E} of the lower nozzle according to the law of cosines while the gyroscopes, starting and stopping, are rotating and "vibrating" around the centre O_1 (see Fig. 5), so the force \underline{E} is always equal to U_2 , the pilot will not feel the rocking.

The inertial "sinusoids" may lie in a vertical plane so its axis is in the horizontal position. In such a case the pilot cabin is located again at the centre O_1 , over the cabin is the gyroscope G_2 , and below - the gyroscope G_3 like it is shown in Fig.11 where we have the sectional drawing of a craft in the shape of a rotational ellipsoid. The machine displaces along a "sinusoidal" path with the help of both gyroscopes like in the case when the "sinusoids" lies in a horizontal plane.

Let the gyroscope G_2 (which is below) rotates alternately in one and the other direction so the machine performs a pendulum-like or fluttering motion along a down arc of the inertial circle (Fig.12a). If now the lift-force becomes smaller than the weight of the craft, it will move, again fluttering, in a trajectory like the one shown in Fig. 12b.

Meanwhile, when the "sinusoids" lies in a vertical plane, since the machine, while moving horizontally, inclines from one to the other side, the lift-force U_1 which is a component of the reaction force \underline{U} , also alternately increases and decreases. At the same time, alternately there appears and disappears a horizontal component U_2 of the force \underline{U} whose magnitude and direction changes with the changes in the inclination of the machine itself. Because of these changeable forces the pilot will feel rocking. This problem could be solved with the help of a reactive force \underline{E} from two nozzles (see Fig 4b) operating each one, while it is below the axis of the "sinusoids", alternately according to the law of the cosines as the craft is changing its inclination (Fig.11).

The pilot will not feel inertia, i.e. rocking, when the machine is moving along a "sinusoids" whose axis is in an oblique position, if the reactive force from the nozzle, which is below, alternately changes its magnitude according to the law of cosines and when the craft is changing its inclination. This case is similar to the case of the previous type of flying machine while it is moving in a "sinusoidal" line lying in an oblique plane with respect to the horizon.

This other type of flying machine could turn left and right in a horizontal plane with the help of the two gyroscopes if they turn their axes through 90° and come

in a vertical position. This operation could be made when the craft is not moving. Using yet one pair of gyroscopes for displacement in a horizontal "sinusoidal", like a combination of the two previous types of craft, we come to the idea for a more complex machine capable of performing other motions. (Fig.13 - plan and side view).

In fact, the idea for combining brings us to some constructions of craft which have no nozzles. Namely, In Fig.14 is shown the plan and front view cross section of a flying machine which uses a complete Cardan joint serving the craft in every manoeuvre, i.e. in every situation, it is always in the horizontal position, and the pilot - in a vertical one. So the lift-force may be always equal to the weight of the machine. Under these conditions the two gyroscopes, together with the pilot cabin, as well as with the complete machine of course, compose the system for displacement in the air which makes possible movement in space. The positions of the gyroscopes, like they are shown in Fig 14, enable a motion along a "sinusoidal" whose horizontal axis is perpendicular to the plane of drawing - if the gyroscopes alternately starting and stopping are rotating (when look like vibrating) around the axis O_1O_1 like in the case shown in Figs. 5 & 6. If from the position in Fig 14, the axes O_2O_2 and O_3O_3 of the both gyroscopes turn for 90° round the axis O_5O_5 , so to come in position as in Fig. 15, the machine might move upward or downward in a "sinusoidal" lying in a plane parallel to the plane drawing. This type of flying machine, in Fig 14, in fact, may move only in horizontal and vertical directions. The changes from horizontal to vertical direction, or vice versa, could be made while it is at rest. Since the propulsion system is always in horizontal position - this means that the lift-force is always the same in magnitude equal to the craft weight and with unchangeable vertical direction - the machine may yet stop, at every speed, in every point of its trajectory. It may not move in vertical spirals except when the lift-force becomes greater or smaller than its weight like in Fig. 10a. Also it may not perform undulatory motion in any vertical plane, of course in a horizontal direction, as the system for displacement (the two gyroscopes) may not rotate in fact, may not vibrate or turn around the axis O_5O_5 .

In Fig.15 is shown a more perfect machine as it uses a complete Cardan joint so the gyroscopes may turn yet around the axis O_5O_5 . It may still move in undulatory and to "sinusoidal" trajectories whose axes are in oblique positions i.e. it may perform motions in every direction.

It should be mentioned that the first type of craft (Fig.1) has less flight performances, but has a preference - the pilot watches outside directly through the pilot cockpit; this would be some kind of "sport" or "scout" machine.

Now we need to point to the connection between the concept for the described other variant of the flying machine i.e. its performances and the reported flying characteristics of UFOs. Namely, the UFO literature contains many descriptions concerning the motions of UFOs which are in agreement with the exposed theory: When in horizontal flight UFOs display a "bobbing up and down in a sinusoidal path", the UFO "flew in an odd, side to side oscillatory motion" UFOs "oscillated (or circled) very rapidly" 9, "the trajectory again exhibiting sinusous movement like that of a snake" ("like that of a snake on the ground"), 10, the UFOs followed "a broken trajectory characterized by a swift zig-zag", 11, in continuous flight, motion is commonly compared to that of a wave, sometimes even to a zig-zag, 12, the UFOs "oscillated as they flew" 13, the UFO swayed like a pendulum of a clock", 14, "dead-leaf fall or descending spiral motion 15, "turning and spiraling", 16, "undulatory or skipping motion".17,.

Meanwhile, there are some shortcomings in the reports, namely it has no

mention of the magnitude of the "wave length" and the "amplitude" of the "sinusoidal" in relation to the diameter of the UFO, or the diameter of the circle in which it was moving again with the respect to the UFO. Some sketches, however, show that the curvature of UFO trajectories are not as great as the diameters of the UFOs themselves.

Always when UFOlogists deal with UFO flight characteristics, it concerns the questions to the technology of UFOs. The answer is that they represent a level of scientific development far beyond anything known to our science. 18. In our case the problem concerns the two gyroscopes G_2 and G_3 . Present day gyroscopes might not withstand the necessary abrupt changes in angular speed. Meanwhile, the scientists speak about so called corpuscular gyroscopes belonging to the future. They would consist of electrical particles circling at tremendous speeds under action of magnetic fields and (almost) instantaneously disintegrate when the magnetic field is excluded.

References and Notices

1. Kiril Terziev, Eliminating the Effect of Inertia, The UFO REGISTER, Vol.7, Part 2, 1977. p.p. 34-41 and Vol 9, Part 1, 1978. p.p. 8-26.
2. In the article "Eliminating the Effects of Inertia", the broken straight lines, along which UFOs move (abrupt changes in course) are mistakenly named zig-zag.
3. In the first variant there was only one gyroscope located in the centre O_1 .
4. As to how UFOs might obtain lift-force see: Kiril Terziev, Producing UFO Light, AWARENESS, Vol. 14 No.2. 1985-6 p.p. 2-8.
5. It could be calculated that in every point of the pilot cabin one would not feel inertia if the cockpit does not rotate round its axis O_1 in relation to the earth. This means that while the flying machine turns, the pilot cockpit must turn with the respect to the machine itself.
6. The pilot watches outside through some optical system.
7. James M. McCampbell, Ufology, Celestial Arts, Millbrae, 1976, p.96.
8. Coral E. Lorenzen, Flying Saucers, The Startling Evidence of the Invasion from Outer Space, Signet Books, 1966, p.149.
9. Gerald Heard, Is Another World Watching, Bantam Books, 1953, p.41.
10. The UFO REGISTER, Vol.7, (1976) p.16.
11. Jacques and Janine Vallee, Challenge to Science, Neville Spearman, London 1967, p.121.
12. Ibid., p. 187
13. Edward J. Ruppelt, The Report on Unidentified Flying Objects, Ace Books, 1956, p.32
14. FSR, Vol.20, No.3. p.7
15. Jacques Vallee, Anatomy of a Phenomenon, Neville Spearman, London 1966 p.41.
16. Ibid., 160.
17. Coral and Jim Lorenzen, Flying Saucer Occupants, Signet Book, 1967, p.146.
18. See: Gordon Evans, Theories of Flight, in The Official Guide to UFOs. Ace Books, 1968. p.7.

*Strumica, Yugoslavia, September 18, 1987.

Editor. Editing has been carried out extensively to improve the English expression of this article. In view of the technical nature of this material we ask readers to consult the excellent diagrams as closely as possible to improve their understanding of the text.

LETTERS TO THE EDITOR

Dear Sir,

Volume 14 No.4 of Awareness contained several references to the re-investigation and resolution of the 'Cracoe Fell' photographic UFO case. Despite giving good overall picture of the work done to solve the case severe errors and misrepresentations were made which I would like to correct.

Firstly as it said in the editorial, the Cracoe case was not 'Re-opened' due to there being a lack of current cases. The West Yorkshire UFO Research Group has been interested in Cracoe case since 1981 and work on it has been taking place for the past year. There has been no 'fued' on WYUFG's part, only the straightforward resolution of a UFO case which had been inadequately investigated.

On page four Kathleen Waldron writes about the 'debunking' 'vilification' and 'Witchhunts' which have taken place by groups in Yorkshire who have been seeking to resolve the Cracoe case. This needs comment. WYUFG are NOT debunkers, far from it, but we are sceptics. A debunker denies, a sceptic doubts. We doubted the validity of the claims made about the Cracoe photograph and our doubts have been realised. As for 'vilification' and 'witchhunts', this is sheer nonsense and both Kathleen and others of the same mind would do well to read the Cracoe saga in BUFORA Bulletin and UFO Brigantia before making sweeping statements based on lack of facts. WYUFG at no time doubted what the witnesses thought they saw, they made an observation and reported it with sincerity. The objective facts have not backed their observation up however and as usual throws doubt on the ability of a witness to describe accurately what they see.

The Cracoe Revisited article on page 13 is generally correct and proves WYUFG's point; i.e. that the 'Cracoe Fell UFO' is no more than a light reflection which anyone can see and photograph. WYUFG welcome Contact's independent visit to the Cracoe Fell Area and are pleased the weather conditions were suitable for viewing the phenomena.

WYUFG's intent behind it's investigation of the Cracoe UFO was simply this; to resolve a major UFO sighting which was considered and vaunted by many as being a true unidentified craft. A myth had grown up around the Cracoe UFO and the area in general which added fuel to the UFO myth in general, this has now been exploded and we can get on with investigating real unknowns. The 'trouble' which has occurred as a result of WYUFG's investigation has been as a result of others being unable or unwilling to face challenge to their beliefs or methods of investigation.

Yours sincerely,

Andy Roberts. (WYUFG) Brighouse, West Yorkshire.

Editor:

We accept Mr. Roberts arguments except that Kathleen Waldron was in no way involved in the Cracoe study and any reference to her has been completely taken out of context.

ADVERTISEMENTS

QUEST The Journal of UFO investigation. - published by the Yorkshire UFO Society, is now available on subscription, containing fascinating articles and major features, reviews, plus probing looks at civilian and military matters. QUEST has brought these comments from one of Britain's leading UFO figure, Jenny Randles: "I truly believe that QUEST has taken over the mantle of the once proud FSR (flying Saucer Review) as the best UFO publication in Britain. No serious Ufologist can afford not to read it". Subscription for 6 bi-monthly issues is just £8.00 Overseas enquiries are welcome.

Please make cheques/postal orders payable to 'YUFOS' and send to: 68 Buller Crescent, Leeds. LS9 6LJ.

UFO SPOTTERS GUIDE to UFO clubs and groups worldwide, includes UFO publications, book suppliers, photo suppliers and news clipping services. £3 incl. postage from: UPON, Flat 2, 1, Pelham Place, Seaford, Sussex.

1987 UFO BESTSELLERS! Quality books - highly recommended - inc.postage;:

"ABOVE TOP SECRET" by Tim Good. Illustrated. 590 pages. £17.00
 "UFOS: 1947-1987, The 40 Year Search for An Explanation"
 Large quality paperback, well illus. Ed: Hilary Evans. £14.00
 From: Lionel Beer, 15 Freshwater Court, Crawford St, London, W1H 1HS

UFO NEWSCLIPPING SERVICE Probably the best regular newsclipping service there is on UFOs, Bigfoot and related topics. Up to date reports on a world wide basis and foreign press accounts in translated form. A must for every serious Ufologist. Each month subscribers receive a 20 page report reproduced by photo-offset.

For subscription details and sample pages from our immaculate service, write today sending S.A.E to: UFO NEWSCLIPPING SERVICE. Route 1, Box 200 Plumerville, Arkansas 72127 USA.

BOOKS AND MAGAZINES FOR SALE A selection of over 300 titles in stock. Quality publications on UFOs, mysteries and strange phenomenon, many at bargain prices. Please send S.A.E. for lists to: Lionel Beer, FRAS. 15 Freshwater Court, Crawford Street, London W1H 1HS.

PHOTOCOPYING SERVICE Now available from CONTACT Headquarters - A4 copies only- 5p each (100 @ 4p) Submit originals plus remittance and postage to: 48 Crown Road, Wheatley, Oxford, England. Prompt attention. Other sizes considered.

CAR Stickers Still available @ 45p each from the above address. Attractive yellow and black PVC showing UFO and Contact International Logo.

UFO CORRESPONDENCE COURSE Learn all about Ufology at modest expense. A very special course prepared by Contact International, containing surprise facts and figures - a wealth of information for the beginner or connoisseur. Details from Wheatley address.

UFO AND SPACE AGE PUBLICATIONS A large selection of titles are available now. Send S.A.E for lists to: Ms. S.R. Stebbing. 41 Terminus Drive, Herne Bay, Kent. CT6 6PR. Now available "George Adamaki the Untold Story" by Lou Zinsstag and Timothy Good. £6.95. Skycrash A cosmic Cover Up. The World's first Officially Confirmed UFO Encounter. Hardback. £7.95. Strange Things A curious collection of freakish and funny scientific facts by Robert Emple. Paperback. £2.00

